



MBRICO

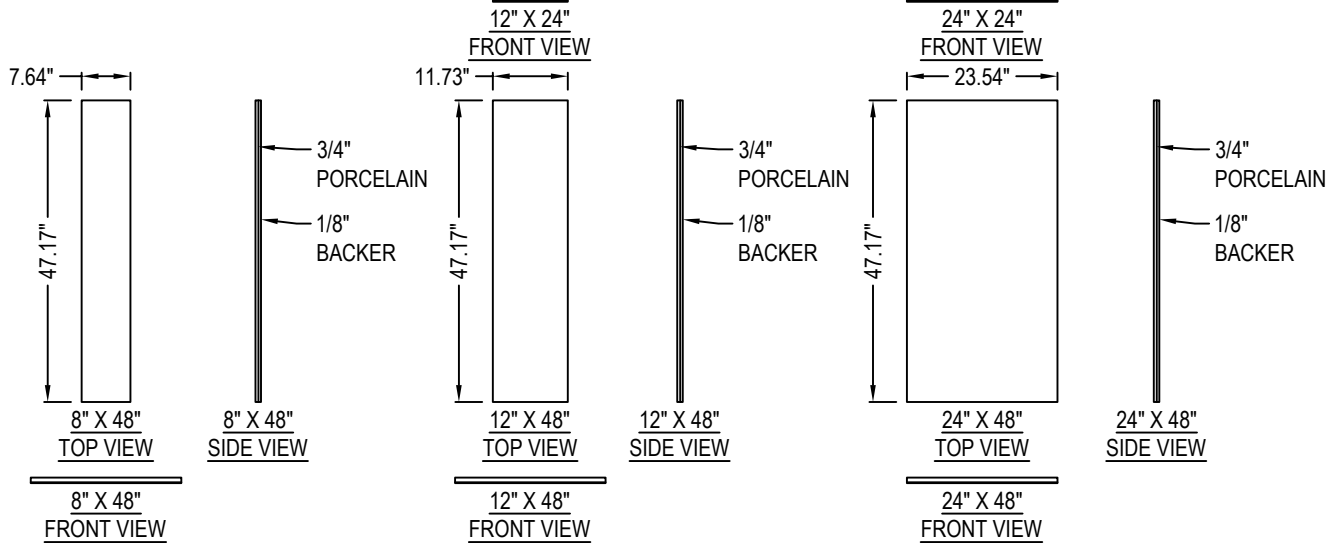
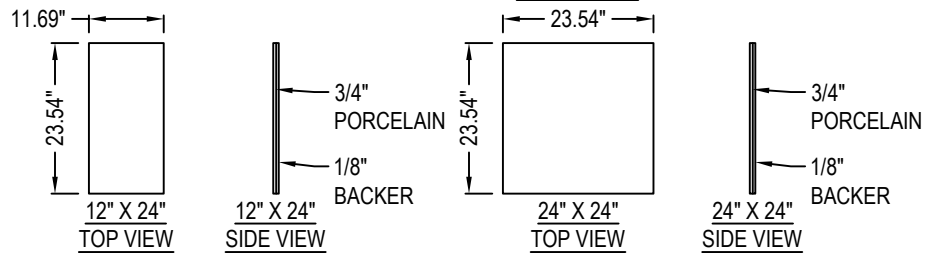
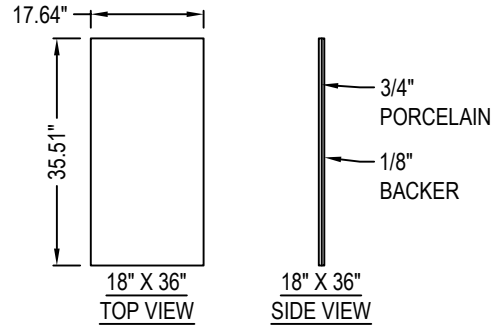
MBRICO TILE DECKS
 P.O. BOX 1108
 BETTENDORF, IA 52722
 TOLL FREE: 1-844-449-9214
 www.mbricotiledecks.com

SELECT DESIRED SIZE:

- 12 X 24
- 24 X 24
- 18 X 36
- 8 X 48
- 12 X 48
- 24 X 48

SELECT DESIRED PATTERN:

- SQUARED
- 50% OFFSET (SUBWAY)
- 33% OFFSET (PLANK)

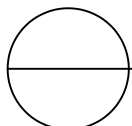


MANUFACTURER NOTES:

1. CUSTOM SIZES, PATTERS, AND SHAPES AVAILABLE UPON REQUEST.
2. PLEASE CONTACT MBRICO FOR BACKING OF ADDITIONAL 2CM TILE BRANDS.

NOTES:

1. INSTALLATION TO BE COMPLETED IN ACCORDANCE WITH MANUFACTURER'S SPECIFICATIONS.
2. DO NOT SCALE DRAWING.
3. THIS DRAWING IS INTENDED FOR USE BY ARCHITECTS, ENGINEERS, CONTRACTORS, CONSULTANTS AND DESIGN PROFESSIONALS FOR PLANNING PURPOSES ONLY. THIS DRAWING MAY NOT BE USED FOR CONSTRUCTION.
4. ALL INFORMATION CONTAINED HEREIN WAS CURRENT AT THE TIME OF DEVELOPMENT BUT MUST BE REVIEWED AND APPROVED BY THE PRODUCT MANUFACTURER TO BE CONSIDERED ACCURATE.
5. CONTRACTOR'S NOTE: FOR PRODUCT AND COMPANY INFORMATION VISIT www.CADdetails.com/info AND ENTER REFERENCE NUMBER 5279-005



MBRICO DETAILS

MBRICO: TILE SIZES AND PATTERNS