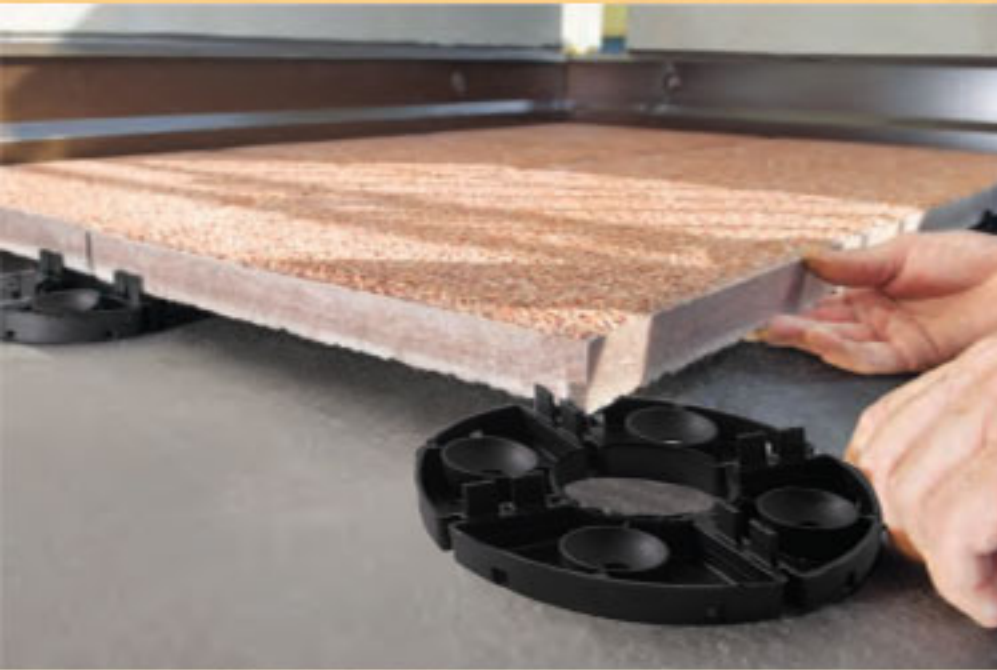


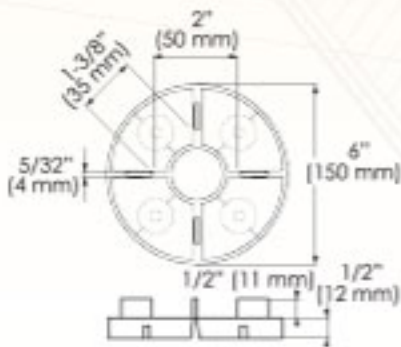
THE "EH" RANGE *fixed height paver support*



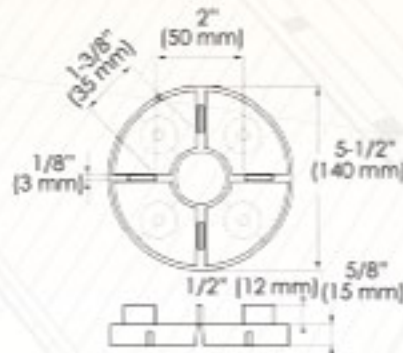
The fixed height supports "EH" are available in 1/2" (12mm), 5/8" (15mm) and 3/4" (20mm) heights. Tabs supplied are 5/32" (4mm) and our LH3 leveling shim is also available in 1/8" (3mm) thick.



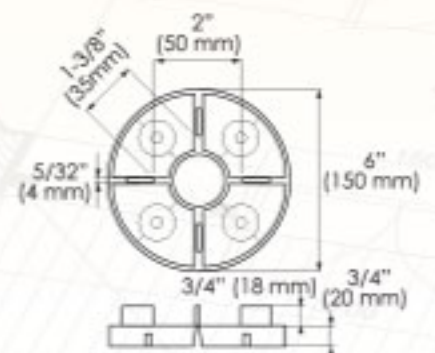
EH 12



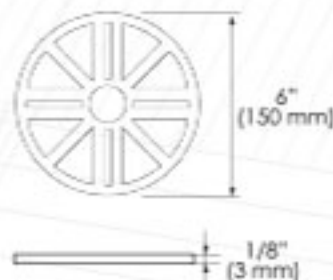
EH 15



EH 20



LH3



EH FIXED rubber support

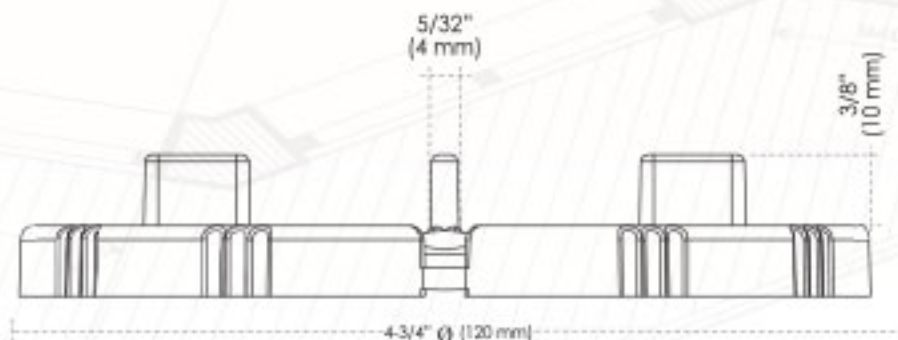
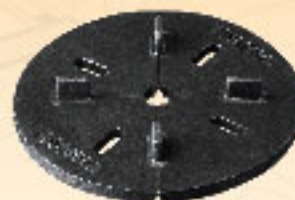
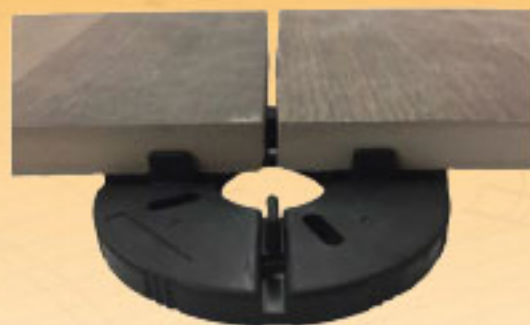
EH fixed rubber supports are supports made of SBS recyclable rubber. The material used has a particularly high resistance to temperature changes, acid solutions and atmospheric agents that make it mostly suitable for outdoor use. They are subjected to great crush performance, thanks to its elastic power, it returns to its original shape. It has a high sound absorbing property and its composition is formulated specifically to match the high performance of the "white head" present in the NM and SE models belonging to the MRP Pedestal line.

EH fixed rubber supports are a fixed support that are available in two sizes - 4-3/4" (121mm) OD x 3/8" (10mm) high and 4-3/4" (121mm) OD x 1/4" (6 mm) high. Both can be used separately or superimposed, until they reach the required height.

Because of its raw material and its compact size, EH fixed rubber supports become a great ally in the construction field and in architecture; ensuring high speed during installation procedures, better sound insulation and granting a good floor finishing results. It can raise any type of floor finish (stone, ceramic, cement, composite material, etc.) of any size and weight. These supports can be used whole, half or divided into quarter sections.

The tab of the Pedestals are 3/8" (10 mm) high and 5/32" (4 mm) thick as standard stock.

On request and SPECIAL ORDER, the tabs are also available with the required thickness to be used for 1/16" (2mm) and 1/8" (3mm) joints .

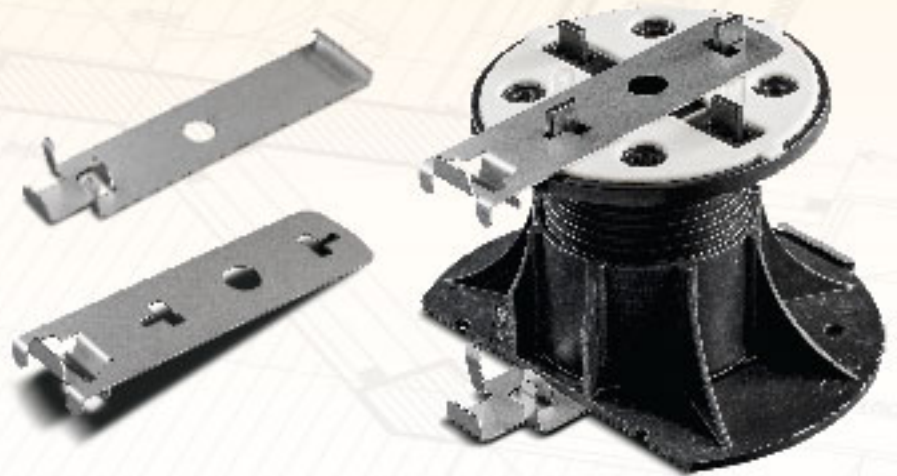
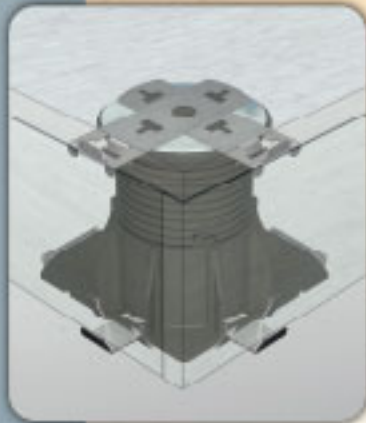


Rubber Fixed Support are also available with Locking Pins to be used with our IPE Wood Deck Tiles Rubber Support is 5-1/4" (133mm) OD x 1/4" (6mm) tall. Tab height is 5/8" (16mm) x 5/32" (4mm) thick.

Also available without locking pins.

CLIPS for vertical and horizontal closure

Our clips are designed to solve a problem on how to fill in the gap around the edge when no perimeter wall is present. This solution is used with Porcelain Tiles and represents an innovative, easy and elegant way to eliminate gaps around raised floors. The system consists of two special stainless-steel clips for positioning over head and under the base of the MRP Supports. It creates a firm setting capable of gripping the section of the floor to fill the gap. The use of our floor edge clip effectively prevents horizontal movement of floor slabs. This system is also possible to create steps.



SLAB EDGE perimeter spacer

Designed to avoid contact between the slabs of outdoor raised floors and outside walls. The Slab Edge Perimeter spacer is made of stainless steel and incorporates a damper to absorb expansion and guarantees a secure grip, the use of these clips ensures a stable floor surface with a straight and elegant perimeter.



NM SERIES *economical alternative with adjustability*

The Eterno NM 'Maxi' range of pedestals from MRP Supports is the very definition of strength and reliability. This range of adjustable pedestals features a cost saving 6" Diameter Fixed Head (rather than the self leveling head on the SE range of pedestals) while retaining classic Eterno pedestal features – complete adjustable height control before and after installation, anti-slip, noise reducing rubber head with inbuilt spacer tabs and strong, UV resistant, polypropylene components.

When installed on sloping surfaces, either shims or our Slope Compensator ensure a level support surface. The Slope compensator compensates from 0 – 1 %.

Suited for any self-supporting outdoor paving system, the NM 'Maxi' Series is an elegant, cost effective solution to your elevated decking needs.

Our Unique Adjustment Tool allows the installer to precisely level the pavers after installation without having to lift or remove any pavers. You simply insert the tool from above into a slot in the pedestal head via the gap between the pavers and turn it clockwise or anticlockwise to adjust the height.



Advantages

- Adjustable height from 1" – 10.63" (25-270mm)
- Adjusting the height with our exclusive adjustment key
- 320 cm² smooth base support
- Recyclable
- Resistance to temperatures between -40°- 248°F (-40° – 120°C)
- Resistance to acids and ultraviolet deterioration
- Suitable to any self-supporting outdoor paving system
- Head with noise-reducing and anti-slip rubber
- Easy to remove tabs
- Load tests available
- Compatible with "Twist" Slope compensator (0 – 1 %)
- Loading capacity 3300 lbs.



XL HEAD



NM 1
1" - 1.57"
(25-40mm)



NM 2
1.57" - 2.75"
(40-70mm)



NM 3
2.34" - 3.93"
(60-100mm)



NM 4
3.54" - 6.30"
(90-160mm)



NM 5
5.90" - 10.63"
(150-270mm)



P NM
5"
(165mm)



LGH2 - LGH3
1/16" - 1/8"
(2-3mm)

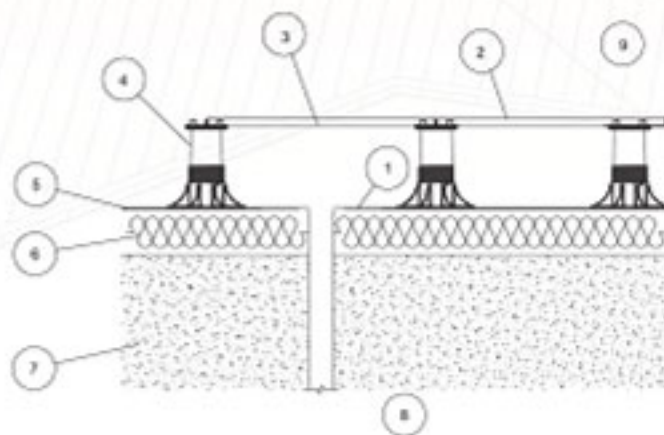
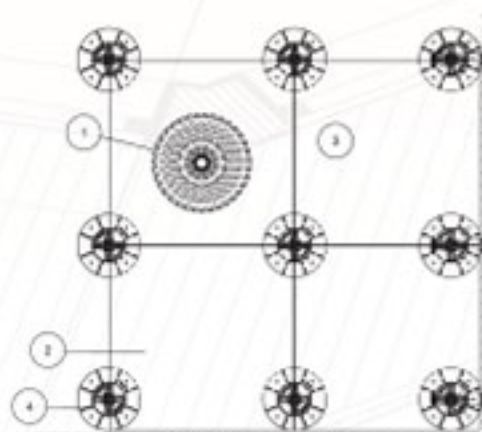


Slope Compensator

INSTALLATION of concrete and porcelain pavers

Concrete or Porcelain pavers should be installed using exclusive self-leveling, bi-component head that allows automatic compensation of the imperfections and the slope of the substrate. Our EH fixed supports are also available for heights less than 1.125".

WARNING: Verify with paver manufacturer that paver meets or exceeds local codes.



DESCRIPTION

1 ROOF DRAIN • 2 SLAB • 3 LEAF-GUARD • 4 ADJUSTABLE PAVING SUPPORT "ETERNO"
5 WATERPROOFING MEMBRANE • 6 THERMAL ISOLATION • 7 CONCRETE SLAB • 8 PIPES

INSTALLATION of light pavers

Light pavers require the use of our Self-Leveling Head with Locking Fixed Piece. This allows the head to be fixed, as the Self-Leveling Head is not recommended due the light weight of the tile. Installing our IPE Wood Deck Tiles also require our Four Pins that allow the tile to lock into our head. Our EH Fixed supports are also available for heights less than 1.125".

WARNING: Verify with paver manufacturer that paver meets or exceeds local codes



Optional Locking Piece for Fixed Head Applications



Optional, Pins for IPE Deck Tile Applications

