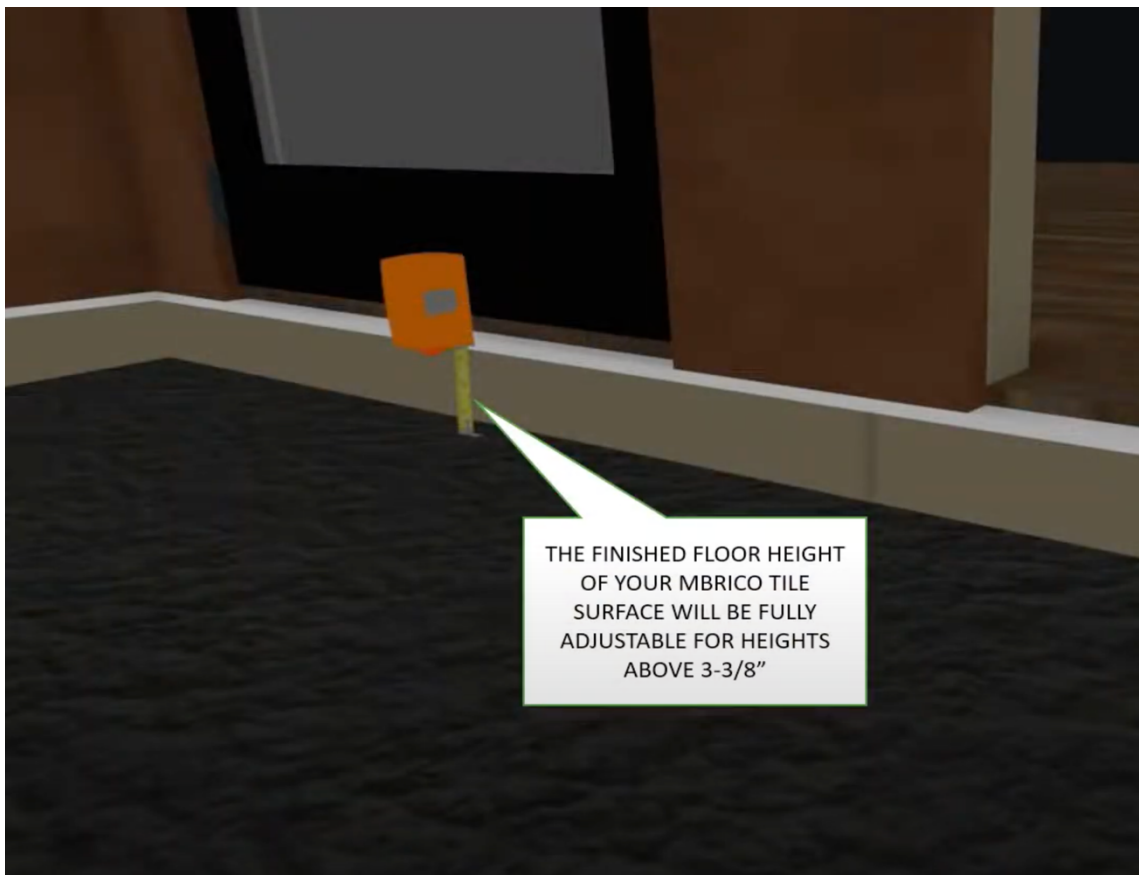




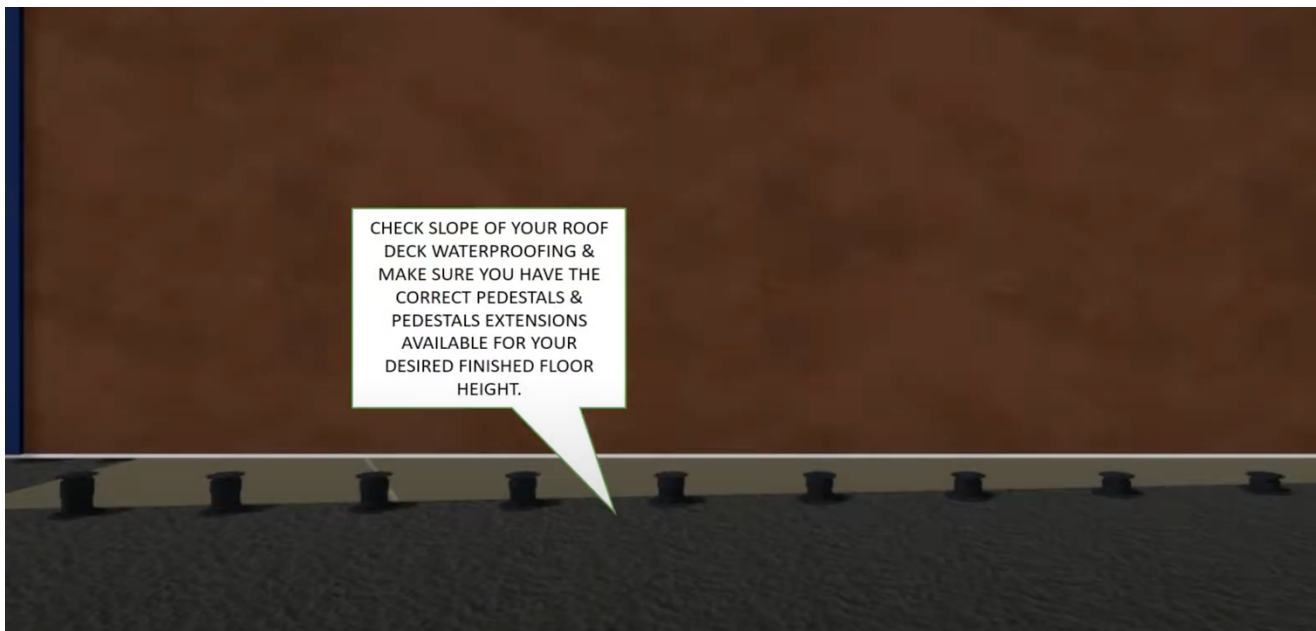
Let's get started on your Mbrico wind pp-lift project.

Pre – Installation Checklist:

1. Verify all of your on site as-built dimensions and heights match the provided Mbrico project drawing to ensure all necessary quantities and sizes are ordered.

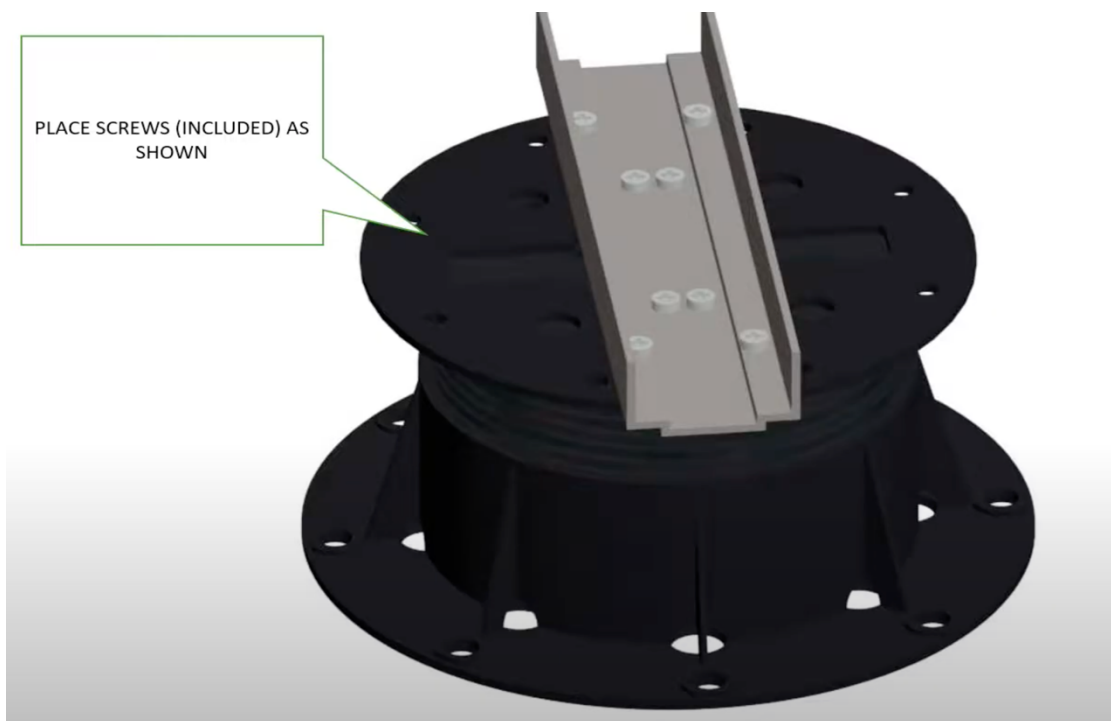


2. Check roof waterproofing to ensure it is all clean and ready for the installation of the Mbrico system. This may require water tests, removing debris, and sweeping.
3. Verify pedestals ordered will accommodate desired finished floor height of Mbrico system. The finished floor height of your Mbrico tile surface will be adjustable for heights (membrane to top of tile) of above 3 3/8".
4. Verify waterproofing surface is 3 3/8" below any adjoining doorway thresholds or clearance obstructions.
5. Check slope of your roof top waterproofing to make sure you have the correct pedestals and pedestal extensions available for your desired finished floor height.

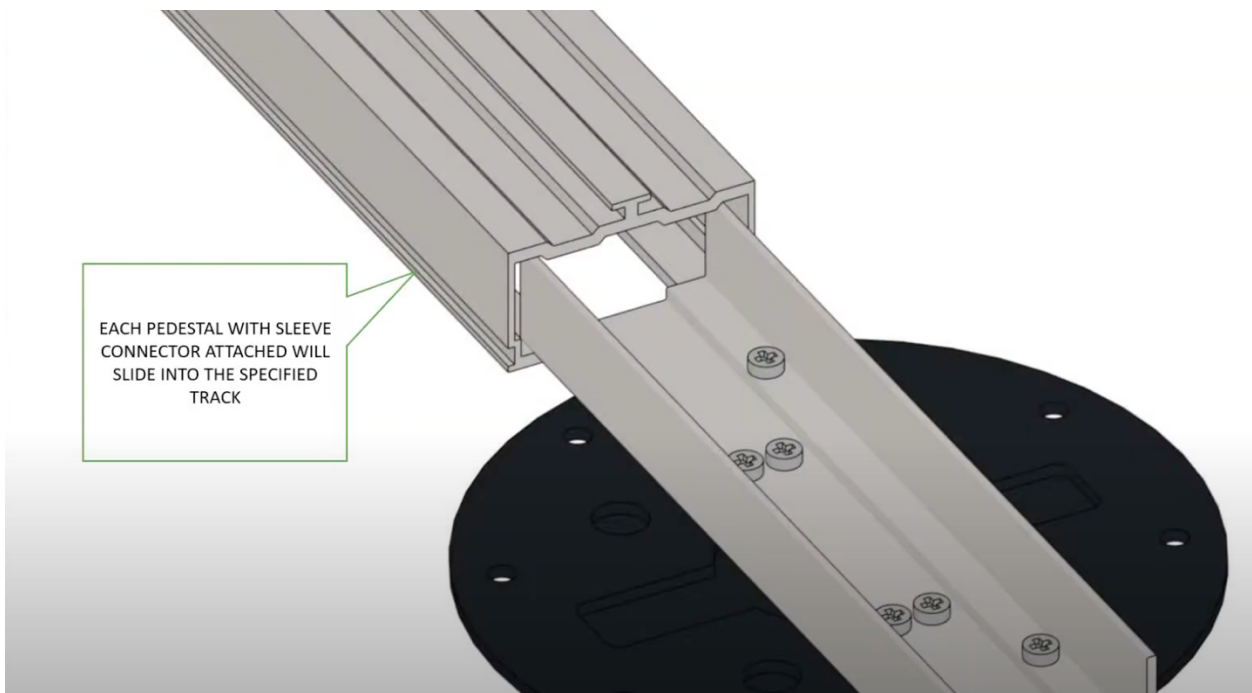


Installation:

1. Each pedestal will need to have an aluminum sleeve connector attached to the top of it. Center sleeve connector on pedestal, fasten sleeves to pedestals using provided screws. There will be 8 screws per pedestal.



2. Each pedestal with sleeve connector attached will slide into the specific track. Each Pedestal will sleeve connector should be slid into the track prior to tile install. You will slide several pedestals onto each track which can be slide side to side to 24" OC later.

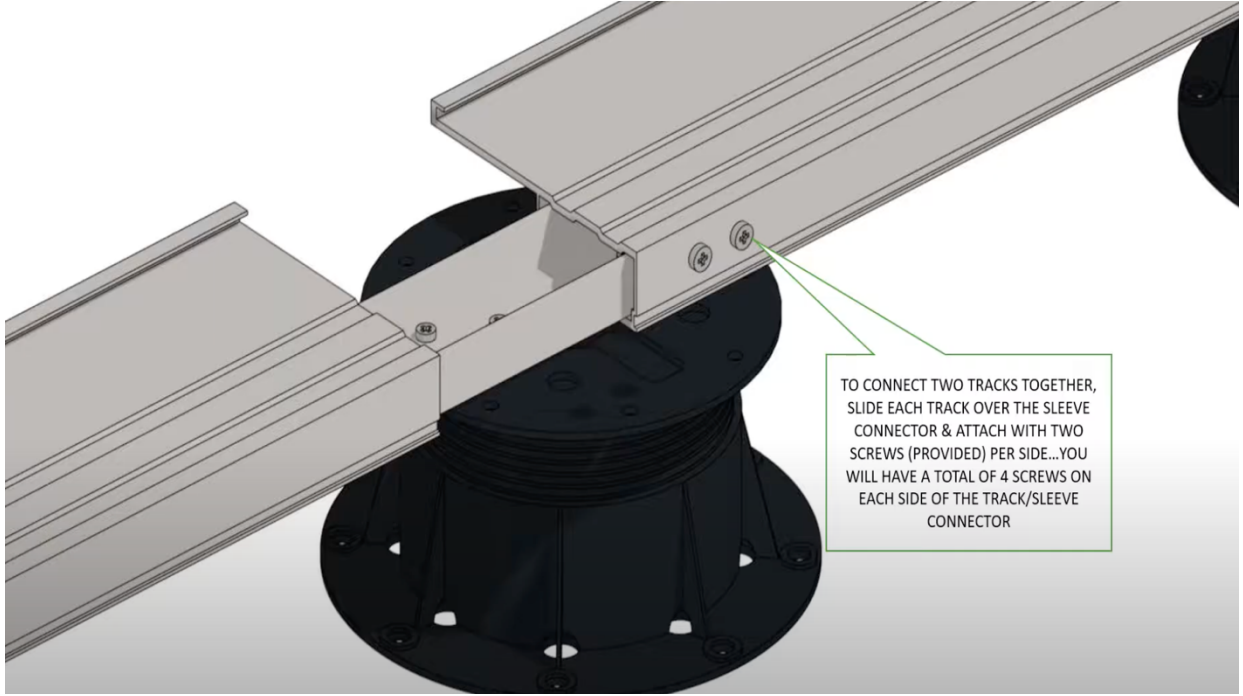


3. Once pedestals are spaced 24" OC according to your Mbrico shop drawing, use provide screws to attach sleeve to track.

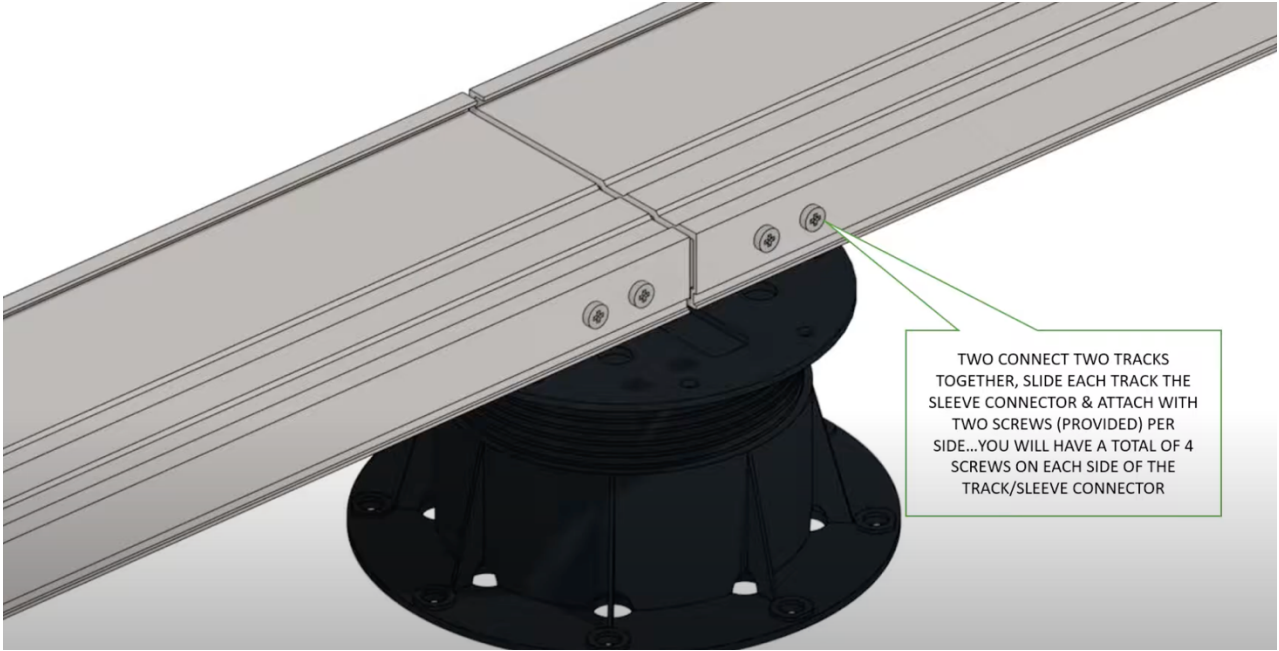


4. To connect two tracks together, slide each track over the sleeve connector & attach with two provided screws per side. There will be 4 total screws on each side of the track end to end connection.





TO CONNECT TWO TRACKS TOGETHER, SLIDE EACH TRACK OVER THE SLEEVE CONNECTOR & ATTACH WITH TWO SCREWS (PROVIDED) PER SIDE...YOU WILL HAVE A TOTAL OF 4 SCREWS ON EACH SIDE OF THE TRACK/SLEEVE CONNECTOR

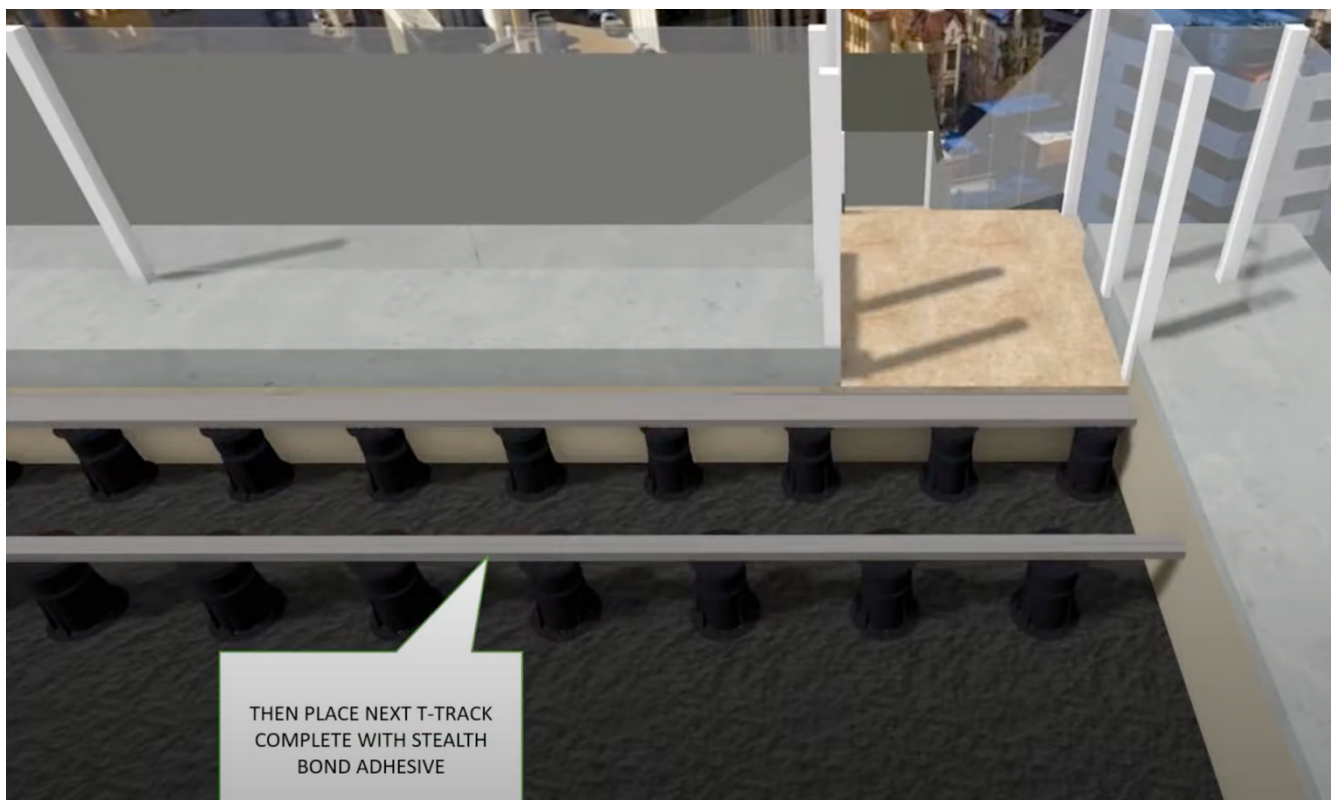


TWO CONNECT TWO TRACKS TOGETHER, SLIDE EACH TRACK THE SLEEVE CONNECTOR & ATTACH WITH TWO SCREWS (PROVIDED) PER SIDE...YOU WILL HAVE A TOTAL OF 4 SCREWS ON EACH SIDE OF THE TRACK/SLEEVE CONNECTOR

5. Once Pedestals are attached to the track, use provided adhesive and apply to the underside of each pedestal.



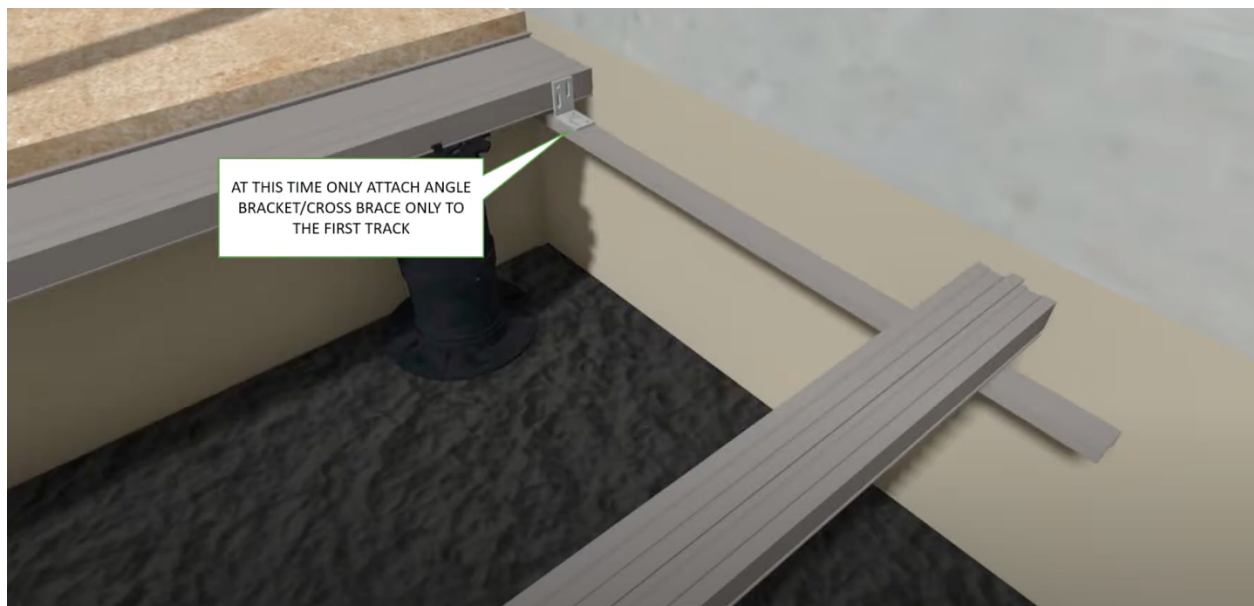
6. Once your first 2 tracks at your planned starting point. You are now ready to place your first two pedestals and track in place according to your Mbrico layout.

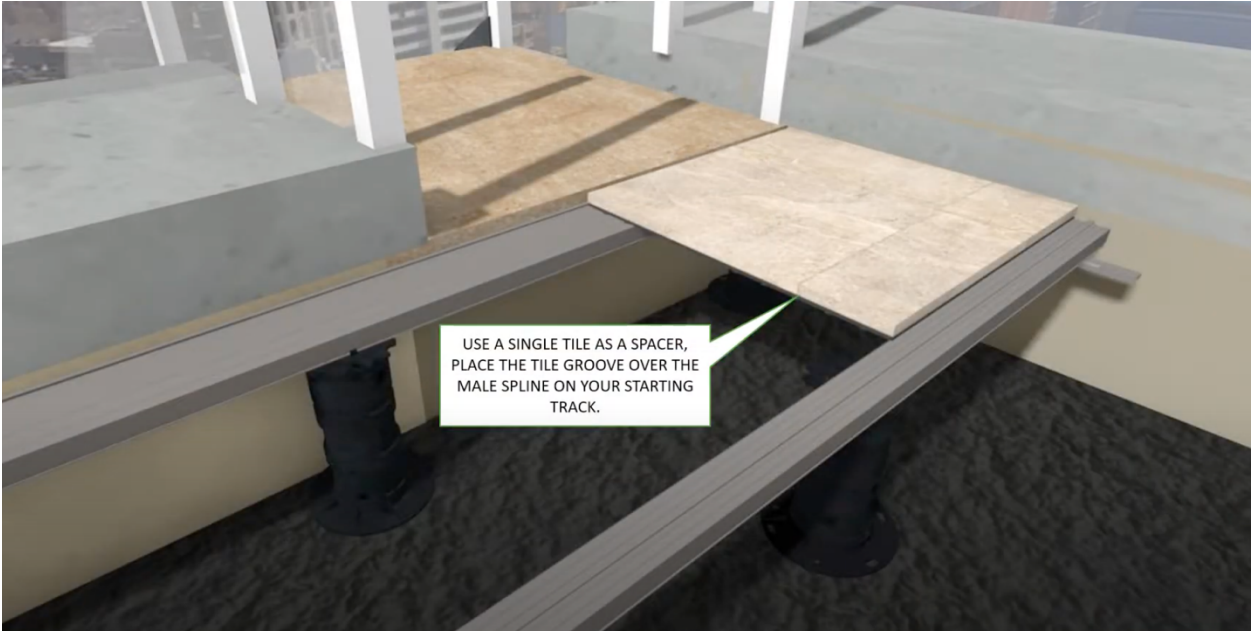


7. Install cross braces to your first track using the supplied cross brace connectors and screws. These are aluminum U-channels that are provided cut to length with all necessary cross brace connectors and screws for attachment.



8. At this time, only attach the cross bracing to the first track and use one Mbrico tile as a spacer to align your second track. The grooved edge of the tile will be received by the male spline on the tracks.

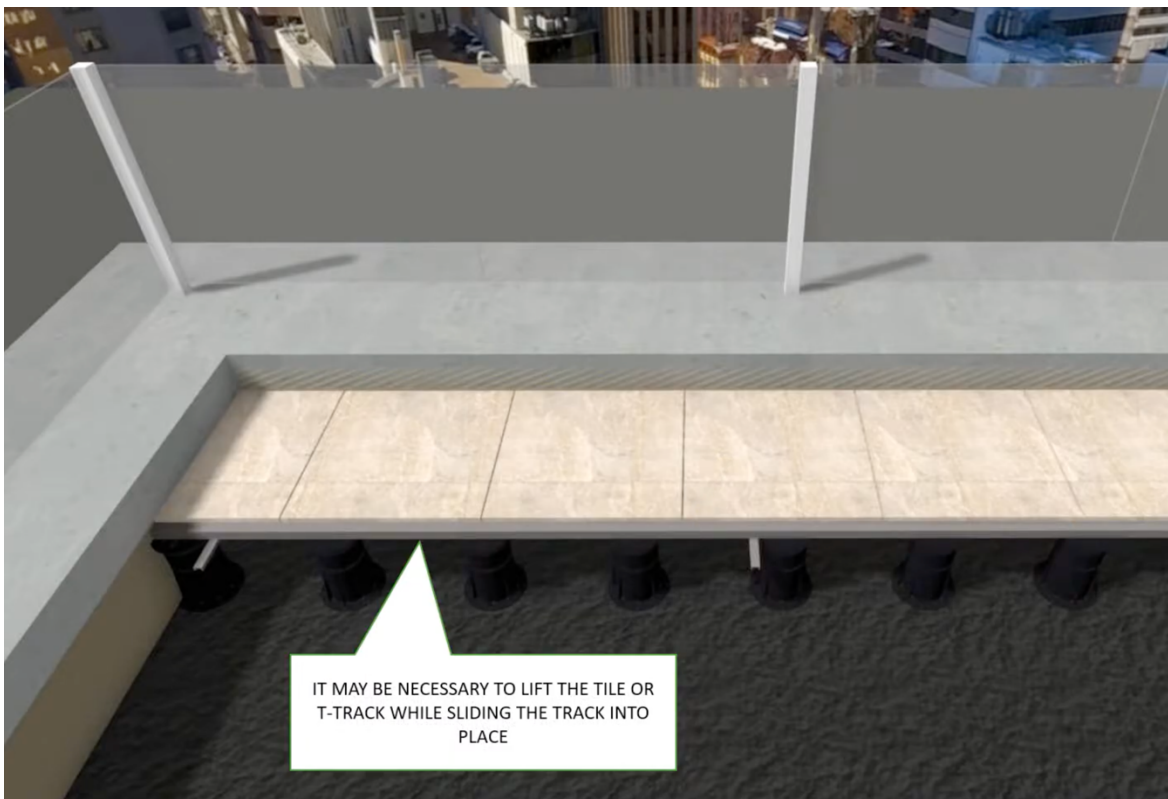
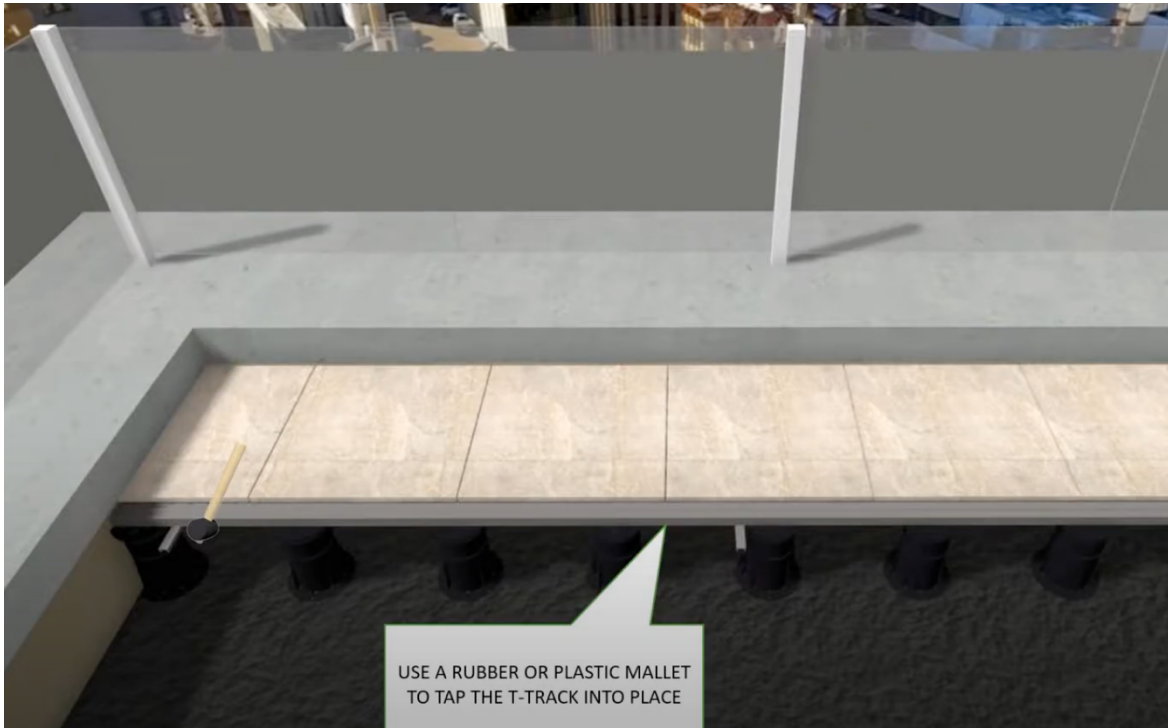


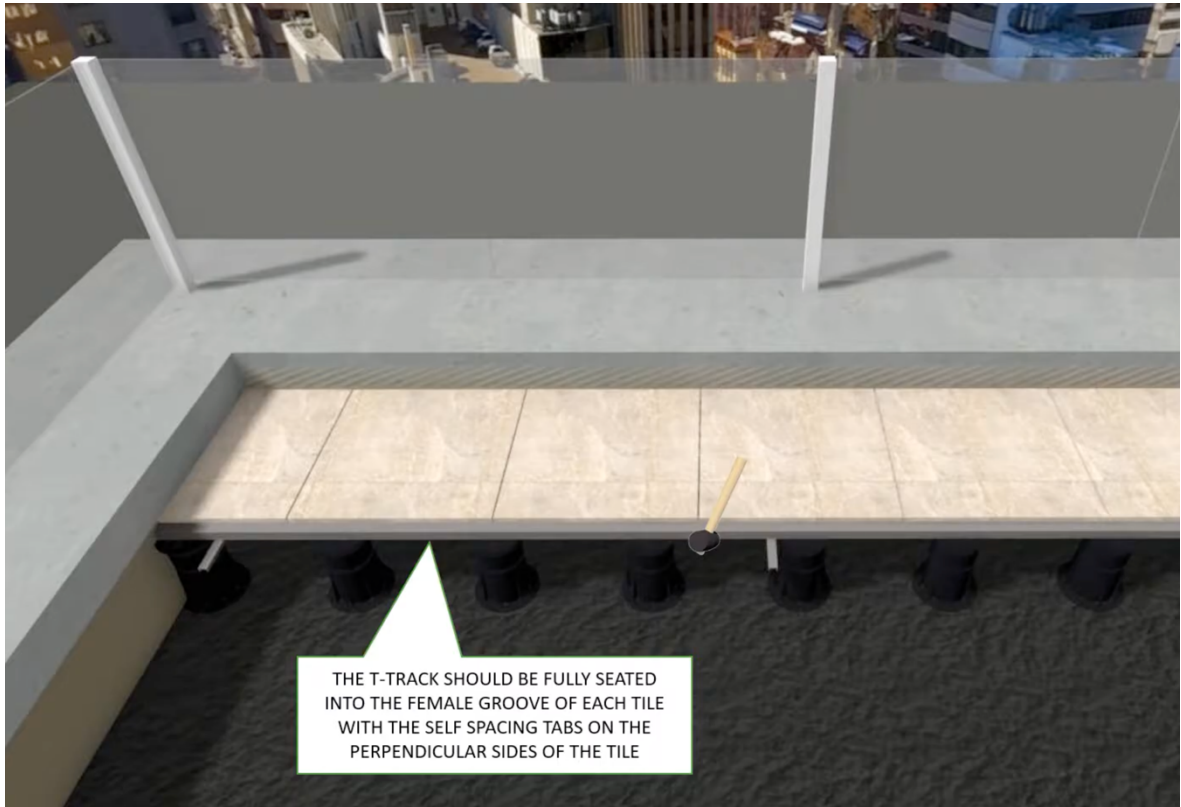


9. Continue to place tiles on the track. Create a snug fit between the groove on the tile and the spline on your first starting track.



10. Continue adding tile and attaching one end of your cross brace channels until the tile row is complete. Then use a rubber mallet to lock both grooved edges of the tile tightly into the track splines to ensure proper spacing and square.

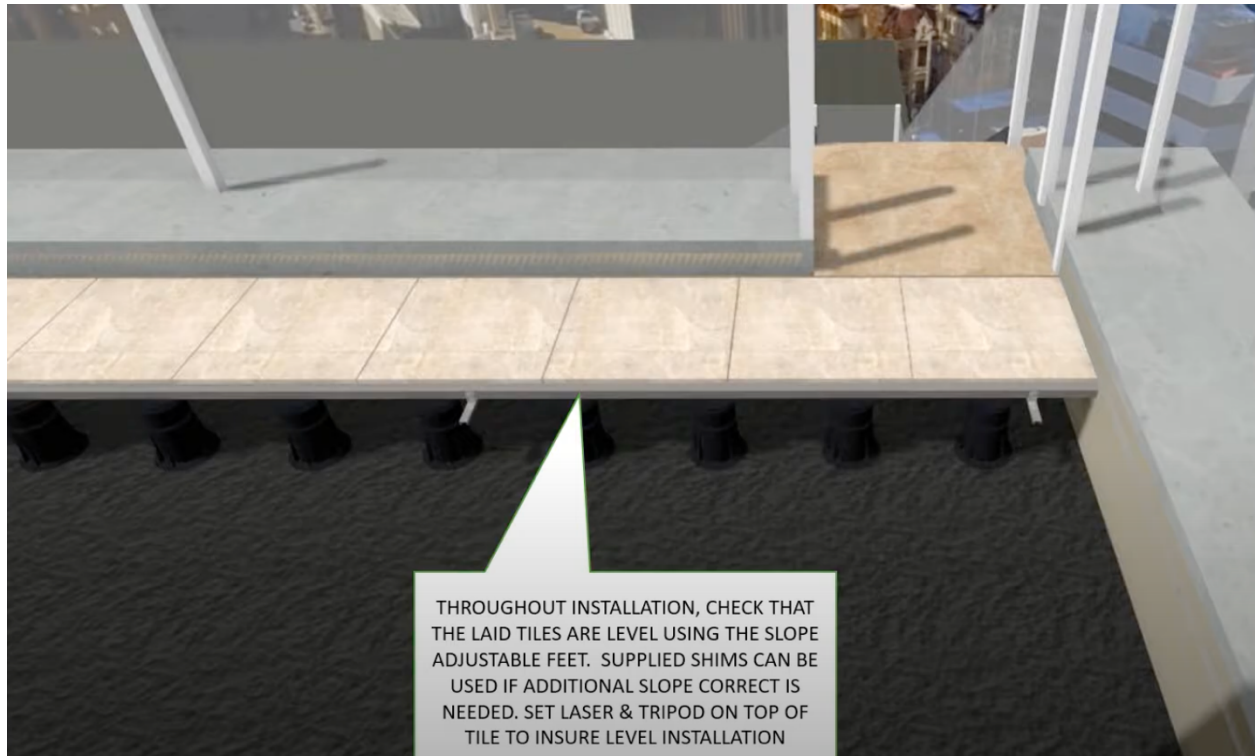




11. Check to make sure all tracks are fully seated into both grooved tile edges and that all tile gaps appear even and square. It is now time to attach the remaining end of the cross brace channel which is still exposed.



12. Once all ends of the cross brace channels are connected, you have completed the first row. Check to make sure first completed row is square with desired structure edge (i.e wall). Check squareness every 3-4 rows throughout installation.



13. Repeat these steps on all remaining field tile rows until you reach your final or perimeter row.



14. On your final row, cut tile to size if needed and regroove any edges that will engage with track (see separate instructions for cutting and regrooving). Small spaces can be left between tiles temporarily so that final cross brace connectors can be attached. Once cross brace connection are attach tiles can be tapped into final snug fit using a rubber mallet.

Enjoy your new Wind Up-Lift Mbrico Porcelain Rooftop Deck!



Mbrico Tile, LLC
info@mbricotiledecks.com
844-449-9214